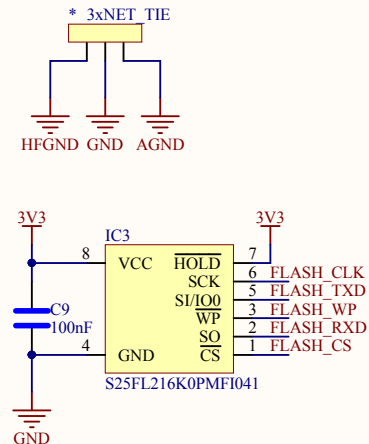
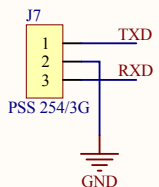
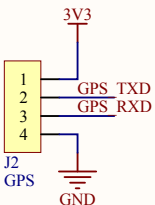
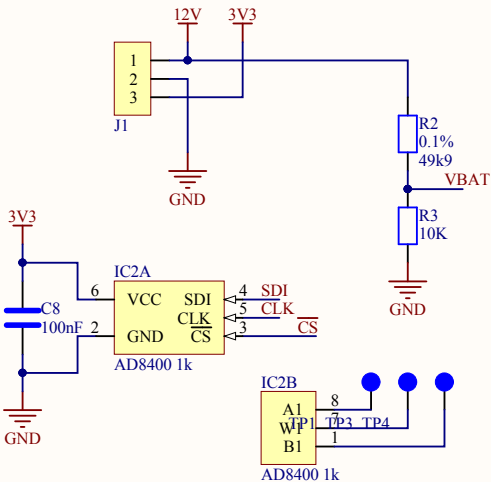
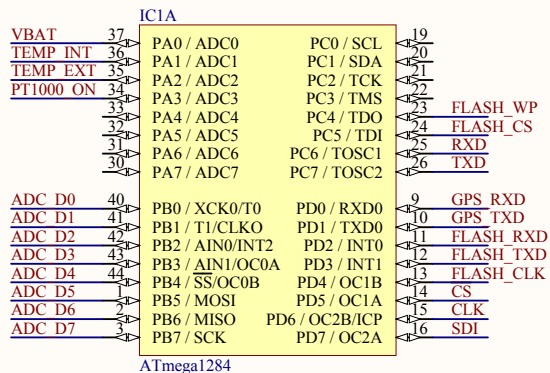
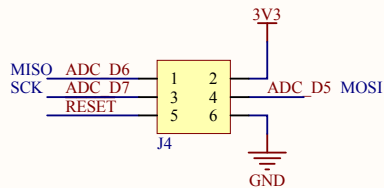
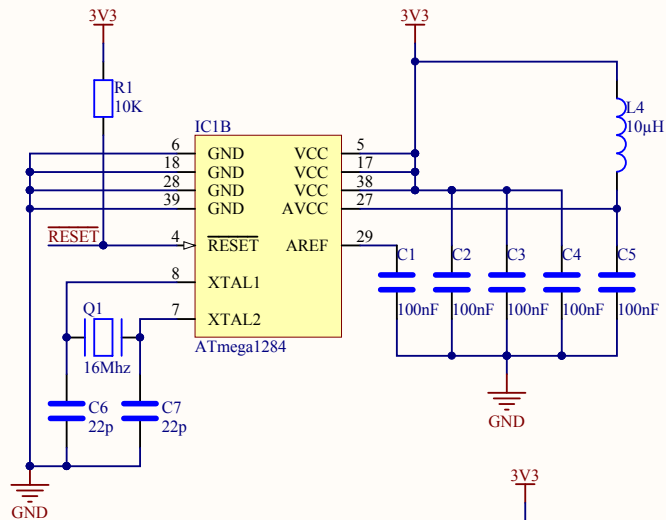
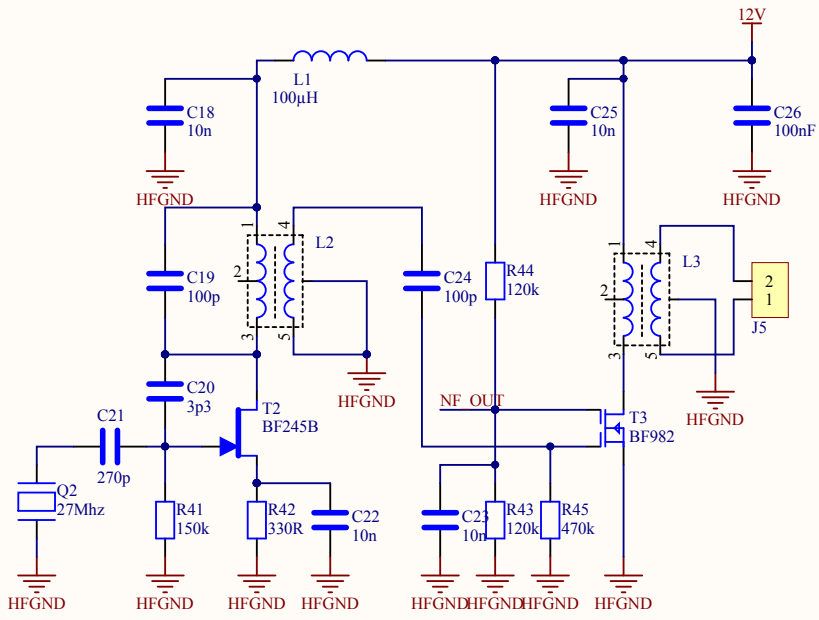


Title		
Size	Number	Revision
A4		
Date:	31.05.2014	Sheet of
File:	C:\Users\...analog2.SchDoc	Drawn By:



Title		
Size	Number	Revision
A4		
Date:	31.05.2014	Sheet of
File:	C:\Users\...sprachbake2.SchDoc	Drawn By:



Title		
Size A4	Number	Revision
Date:	31.05.2014	Sheet of
File:	C:\Users\...\transmitter2.SchDoc	Drawn By:

Comment	Description	Designator	Footprint	LibRef	Quantity	Reichelt code	farnell code
100nF 50V MLCC 0603	100nF 50V MLCC 0603	C1, C2, C3, C4, C5, C8, C9, C10, C11, C15, C16, C17, C26	0603	100nF 50V MLCC 0603	13	X7R-G0603 100N	
22pF 50V MLCC 0603	22pF 50V MLCC 0603	C6, C7	0603	22pF 50V MLCC 0603	2	NPO-G0603 22P	
2,2nF 50V MLCC 0603	2,2nF 50V MLCC 0603	C12, C13	0603	2,2nF 50V MLCC 0603	2	X7R-G0603 2,2N	
22µF 10V MLCC 1206	22µF 10V MLCC 1206	C14	1206	22µF 10V MLCC 1206	1	X7R-G1206 22/10	
10nF 50V MLCC 0805	10nF 50V MLCC 0805	C18, C22, C23, C25	0805	10nF 50V MLCC 0805	4	X7R-G0805 10N	
100p 50V MLCC 0805	100p 50V MLCC 0805	C19, C24	0805	100p 50V MLCC 0805	2	NPO-G0805 100P	
3,3pF 50V MLCC 0805	3,3pF 50V MLCC 0805	C20	0805	3,3pF 50V MLCC 0805	1		
270pF 50V MLCC 0805	270pF 50V MLCC 0805	C21	0805	270pF 50V MLCC 0805	1		
ATmega1284	ATmega1284 TQFP	IC1	TQFP44	ATmega1284	1	ATMEGA 1284P-AU	1715480
AD8400 1k	AD8400 8Bit digital	IC2	SO8	AD8400 1k	1	AD 8400 AR-1	
S25FL216K0PMFIO41	64Mit Flash Memory	IC3	SOIC8	S25FL216K0PMFIO41	1		2340554
SL 1X3G 2,54	Stiftleiste 3pol 2.54	J1	SL 1X3G 2,54	SL 1X3G 2,54	1	SL 1X50G 2,54	
GPS	Stiftleiste 4pol 2.54	J2	SL 1X4G 2,54	SL 1X4G 2,54	1	SL 1X50G 2,54	
SL 2x3G 2.54	Stiftleiste 2x3pol 2.54	J4	SL_2x3 2.54mm	SL 2x3G 2.54	1		
SL 1X2G 2,54	Stiftleiste 2pol 2.54	J5, J6	SL_1x2 2.54mm	SL 1X2G 2,54	2	SL 1X50G 2,54	
PSS 254/3G	PSS 3pol wire-to-board	J7	PSS 3pol	PSS 254/3G	1	PSS 254/3G	
L-PISG 100µH	100µH Power Inductor	L1	PSIG	L-PISG 100µH	1	L-PISG 100µ	
DIY Uebertrager		L2, L3	S71	DIY Uebertrager	2		
L-1210F		L4, L5	1210	L-1210F	2	L-1210F 10µ	
LM358	LM358 Dual operational	OP1, OP2	SO8	LM358	2	LM 358 SMD	
5x3.2mm crystal 16Mhz	16Mhz crystal resonator	Q1	7ASeries_Crystal	5x3.2mm crystal 16Mhz	1		1841946
27Mhzcrystalresonator	27Mhz crystal resonator	Q2	HC49	27Mhzcrystalresonator	1		
IRLML5203	IRLML5203, Logic level	Q3	Micro3	IRLML5203	1	IRLML 5203	
10K 100mW 0603	10K 100mW 0603	R1, R3, R4, R5, R6, R7, R8, R9, R10, R11, R12	0603	10K 100mW 0603	11	SMD-0603 10K	
49k9 100mW 0603 0.1%	49k9 100mW 0603	R2	0603	49k9 100mW 0603	1	SPR-0603 49,9K	
5K 100mW 0603	5K 100mW 0603	R13, R14, R15, R16, R17, R18, R19	0603	5K 100mW 0603	7	SMD-0603 5K	
20K 100mW 0603	20K 100mW 0603	R20, R21	0603	20K 100mW 0603	2	SMD-0603 20K	
50K 100mW 0603	50K 100mW 0603	R22, R46, R47	0603	50K 100mW 0603	3		
100K 100mW 0603	100K 100mW 0603	R23, R24	0603	100K 100mW 0603	2	SMD-0603 100K	
1k 100mW 0603	1k 100mW 0603	R25	0603	1k 100mW 0603	1		
12Turn	Bourns 2k trimmer	R26, R34	Bourns3224G Serie	3224G-1-202E	2		2329364
1k 100mW 0603 0.1%	1k 100mW 0603 0.1%	R27, R29, R35, R36	0603	1k 100mW 0603 0.1%	4	SPR-0603 1,00K	

PT1000		R28	PT1000	PT1000	1		1266940
10K 125mW 0805 0.1%	10K 125mW 0805	R30	0805	10K 125mW 0805	1	SPR-0805 10,0K	
59K 100mW 0603 0.1%	59K 100mW 0603	R31, R33, R39, R40	0603	59K 100mW 0603	4	SPR-0603 59,0K	
10k 100mW 0603 0.1%	10k 100mW 0603	R32, R37, R38	0603	10k 100mW 0603	3	SPR-0603 10,0K	
150k 125mW 0805	150k 125mW 0805	R41	0805	150k 125mW 0805	1	SMD-0805 150K	
330R 125mW 0805	330R 125mW 0805	R42	0805	330R 125mW 0805	1	SMD-0805 330	
120k 125mW 0805	120k 125mW 0805	R43, R44	0805	120k 125mW 0805	2	SMD-0805 120K	
470k 125mW 0805	470k 125mW 0805	R45	0805	470k 125mW 0805	1	SMD-0805 470K	
BF245B	N-Channel FET	T2	TO92	BF245B	1	BF 245B	
BF982	BF982 double gate	T3	SOT103	BF982	1		
LF33CV	3.3V Reg						
Tantal 1-2μF							