

Title		
Schaltregler		
Size	Number	Revision
A4		2.0
Date:	15.08.2014	Sheet 1 of 4
File:	C:\Users\...\wetterballon2015 powersupply\Schaltregler.dwg	
Drawn by:	Torben Hellige	

IC200A

PA0_WKUP	14 3VRef	ADC123_IN0
PA1	15 TEMP_INNEN	ADC123_IN1
PA2	16 TEMP_AUSSEN	ADC123_IN2
PA3	17 VBAT	ADC123_IN3
PA4	20 DAC_OUT1	DAC_OUT1
PA4	21 DAC_OUT2	
PA5	22	
PA6	23	
PA7	23	
PA8	41 FLASH_WP	
PA9	42 DEBUG_TXD	
PA9	43 DEBUG_RXD	▲ Debug + Bootloader UART1
PA10	44 FLASH_CS	
PA11	45	
PA12	46 JTAG_JTMS	
PA13	49 JTAG_JTCK	
PA14	50	
PA15		

STM32F405

IC200B

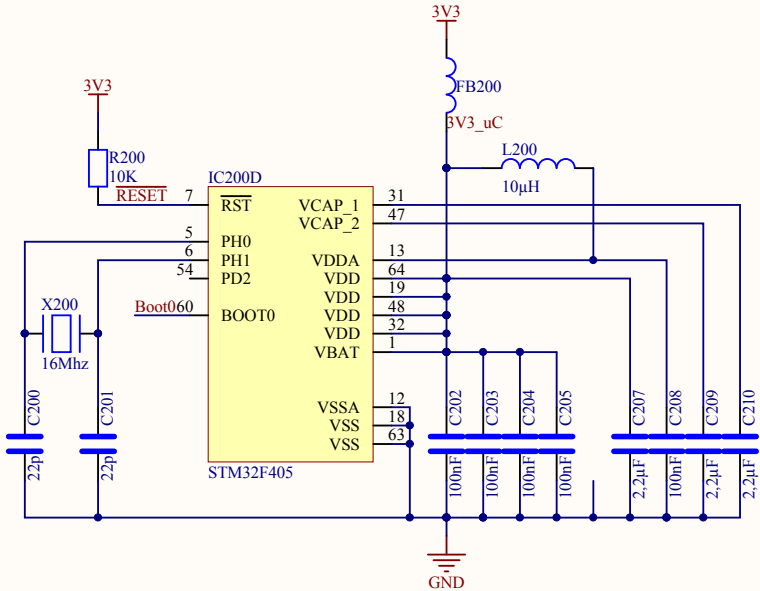
PB0	26 GPS_PPS	EXTI0
PB1	27	
PB2	28	
PB3	55 JTAG_SWO	GND
PB4	56	
PB5	57	
PB5	58 I2C_SCL	▲ I2C1
PB6	59 I2C_SDA	
PB7	61	
PB8	62	
PB9	29 GPS_TXD	▲ USART3
PB10	30 GPS_RXD	
PB11	33 ARPS_IRQ	
PB12	34 ARPS_SCLK	▲ SPI2 / EXTI12
PB13	35 ARPS_MISO	
PB14	36 ARPS_MOSI	
PB15		

STM32F405

IC200C

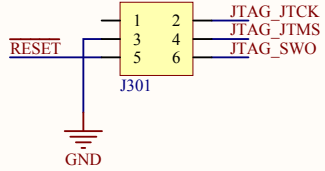
PC0	8	
PC1	9 TEMP_ON	
PC2	10 DEBUG_1	
PC3	11 DEBUG_2	
PC4	24	
PC5	25	
PC6	37 ARPS_CS	
PC6	38	
PC7	39	
PC8	40	
PC9	51 FLASH_CLK	SPI3_CLK
PC10	52 FLASH_MISO	SPI3_MISO
PC11	53 FLASH_MOSI	SPI3_MOSI
PC12		
PC13	2	
PC14	3	
PC15	4	

STM32F405

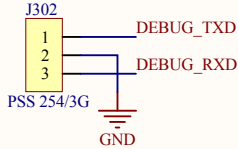
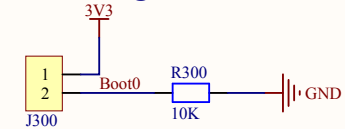


Title		
CPU		
Size	Number	Revision
A4		2.0
Date:	15.08.2014	Sheet 3 of 4
File:	C:\Users\...\wetterballon2015_STM.SchDp	Drawn By: Torben Hellige

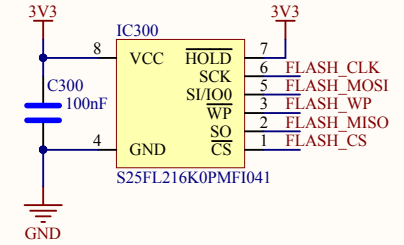
JTAG



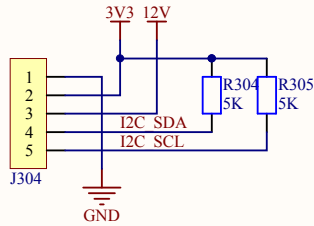
Debug + Bootloader



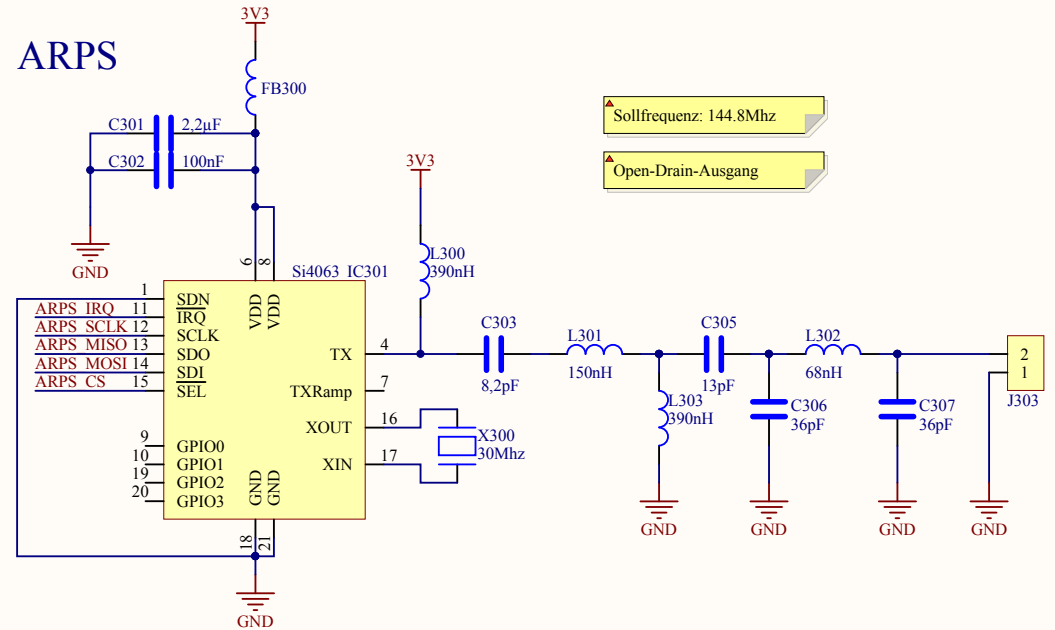
Flash



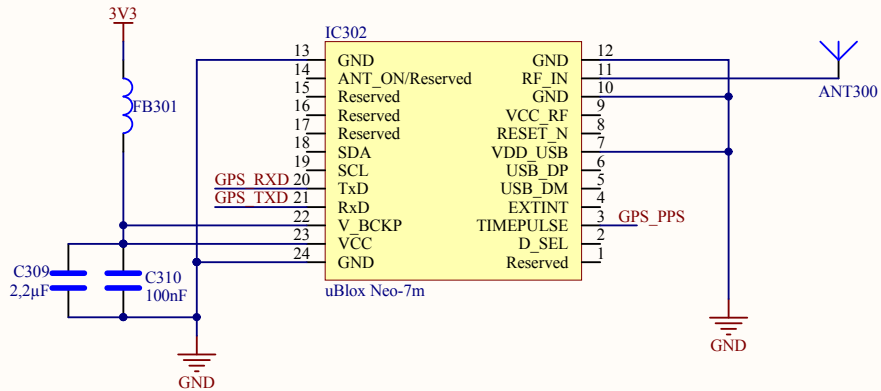
I2C Sensoren



ARPS

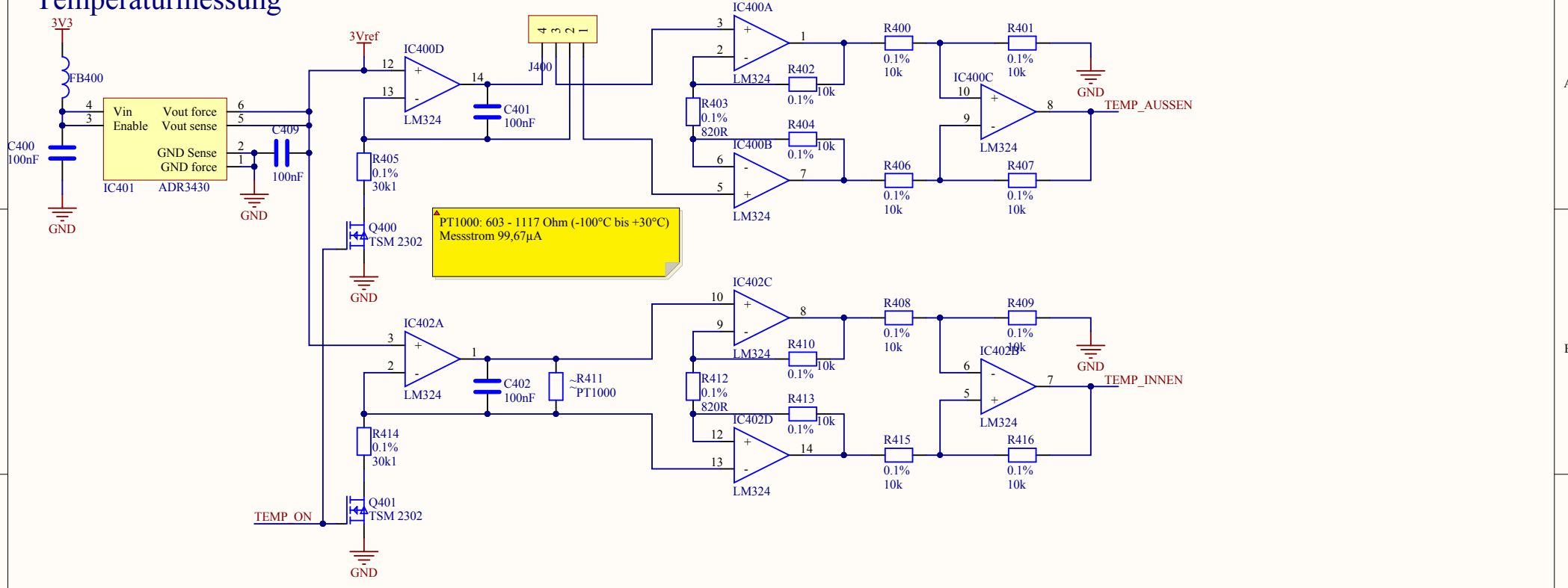


GPS

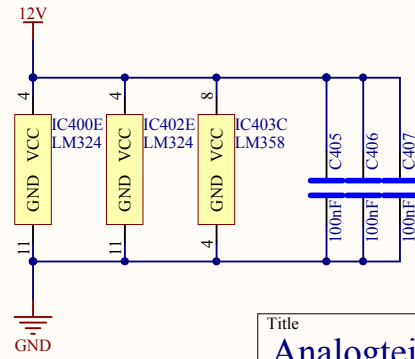
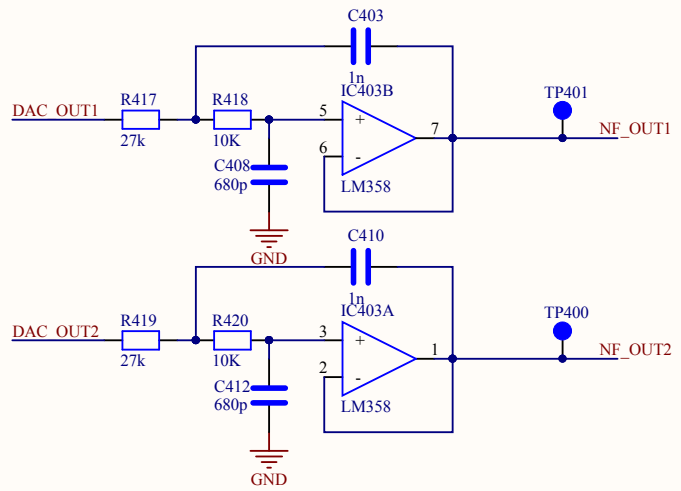


Title		
Size	Number	Revision
A4		2.0
Date:	15.08.2014	Sheet 2 of 4
File:	C:\Users\...wetterballon2015.SchDoc	Drawn By: Torben Hellige

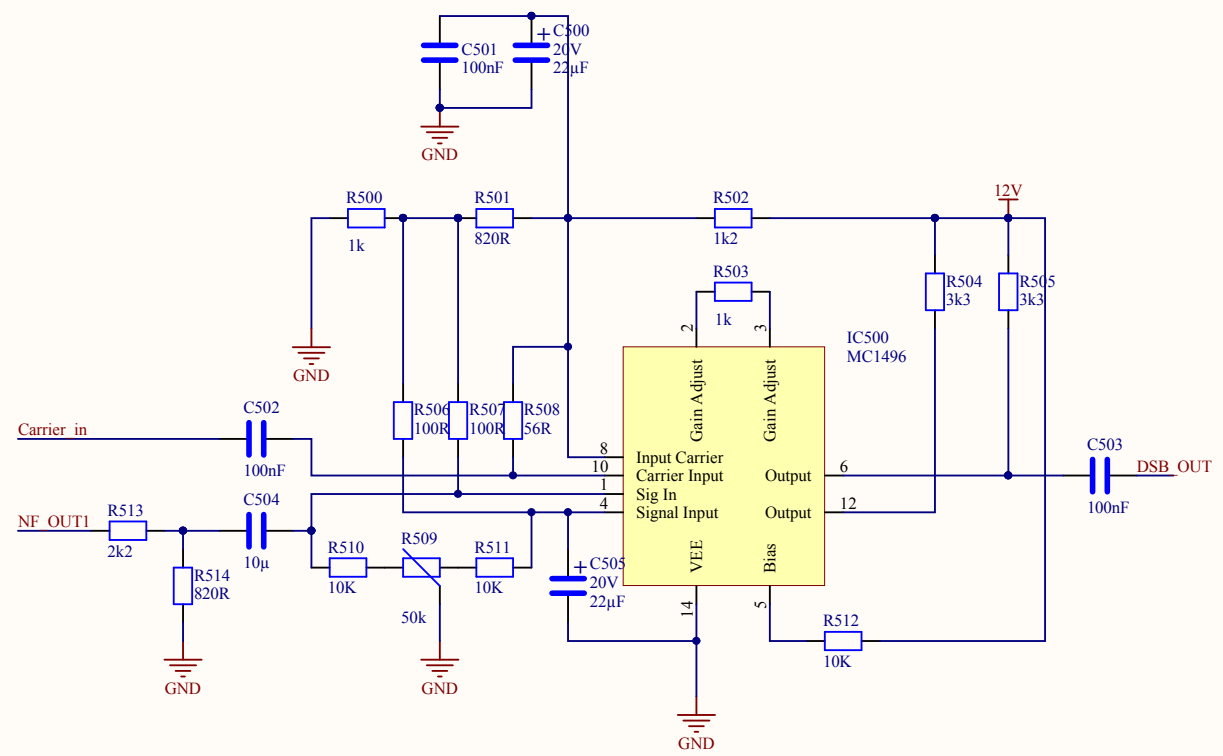
Temperaturmessung



NF-Filter



Title		
Analogteil		
Size	Number	Revision
A4		2.0
Date:	15.08.2014	Sheet 4 of 4
File:	C:\Users\...wetterballon2015 analog.Sch	Drawn By: Torben Hellige



Title		
Size	Number	Revision
A4		
Date:	15.08.2014	Sheet of
File:	C:\Users\...\wetterballon2015_AFU.SchDpdDrawn By:	

