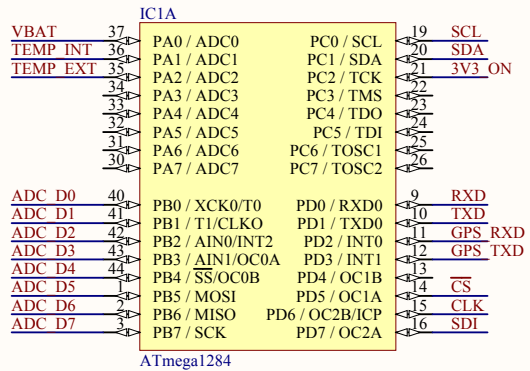
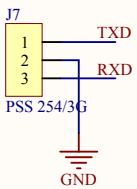
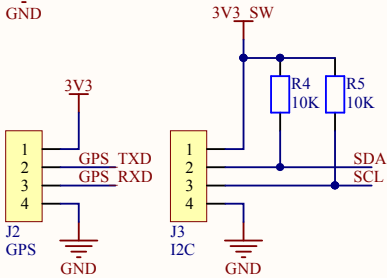
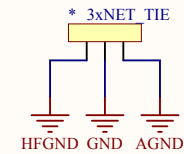
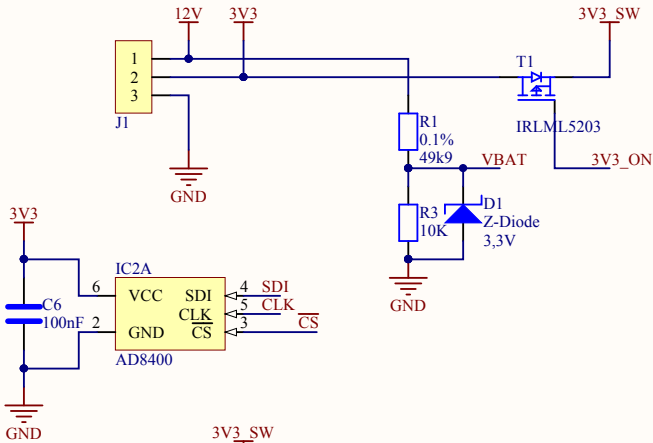
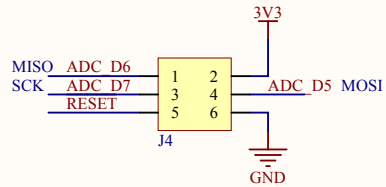
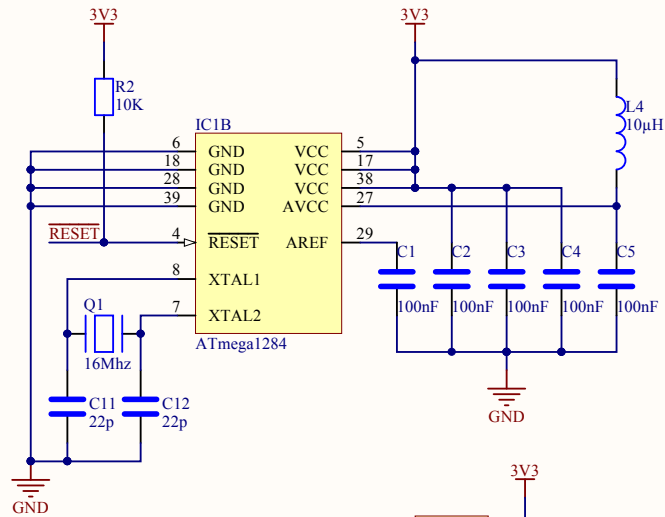
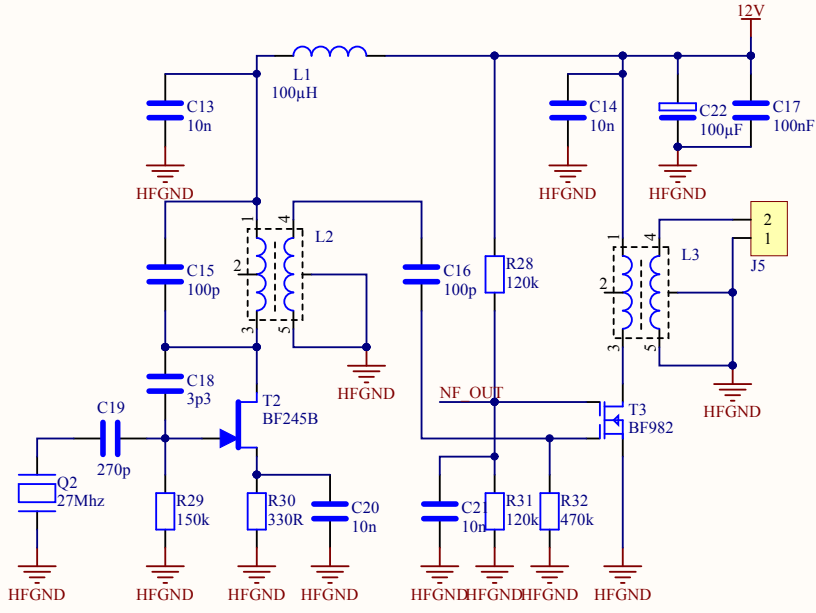


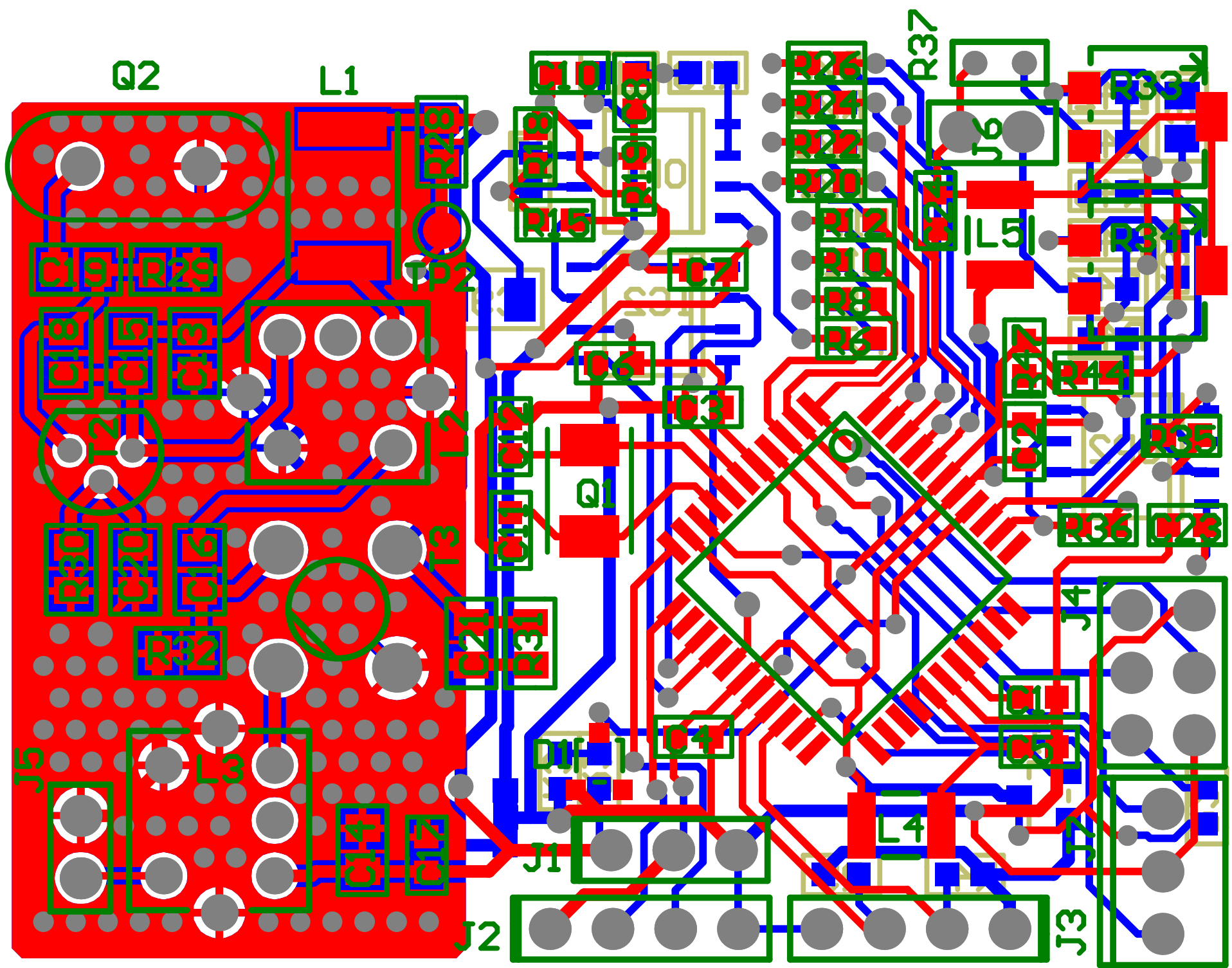
Title		
Size	Number	Revision
A4		
Date:	27.02.2014	Sheet of
File:	C:\Users\...\analog.SchDoc	Drawn By:



Title		
Size	Number	Revision
A4		
Date:	27.02.2014	Sheet of
File:	C:\Users\...\sprachbake.SchDoc	Drawn By:



Title		
Size A4	Number	Revision
Date:	27.02.2014	Sheet of
File:	C:\Users\...\transmitter.SchDoc	Drawn By:



# Bill of Materials

<Parameter Title not found>

Source Data From: Sprachbake.PrjPCB  
 Project: Sprachbake.PrjPCB  
 Variant: None

Creation Date: 27.02.2014 11:04:40  
 Print Date: 41697 41697,46179

Footprint	Comment	LibRef	Designator	Description	Quantity
0603	100nF 50V MLCC 0603	100nF 50V MLCC 0603	C1, C2, C3, C4, C5, C6, C7, C17, C23, C24	100nF 50V MLCC 0603	10
0603	2,2nF 50V MLCC 0603	2,2nF 50V MLCC 0603	C8, C10	2,2nF 50V MLCC 0603	2
1206	22µF 10V MLCC 1206	22µF 10V MLCC 1206	C9	22µF 10V MLCC 1206	1
0603	22pF 50V MLCC 0603	22pF 50V MLCC 0603	C11, C12	22pF 50V MLCC 0603	2
0805	10nF 50V MLCC 0805	10nF 50V MLCC 0805	C13, C14, C20, C21	10nF 50V MLCC 0805	4
0805	100p 50V MLCC 0805	100p 50V MLCC 0805	C15, C16	100p 50V MLCC 0805	2
0805	3,3pF 50V MLCC 0805	3,3pF 50V MLCC 0805	C18	3,3pF 50V MLCC 0805	1
0805	270pF 50V MLCC 0805	270pF 50V MLCC 0805	C19	270pF 50V MLCC 0805	1
ELKO_SIZE-E	100µF 25V Elko Size E	100µF 25V Elko Size E	C22	100µF 25V Elko Size E	1
SOT-23	Z-Diode	Z-Diode 3,3V	D1	3,3V Z-Diode	1
TQFP44	ATmega1284	ATmega1284	IC1	ATmega1284 TQFP44	1
SO8	AD8400	AD8400	IC2	AD8400 8Bit digital potentiometer	1
SL 1X3G 2,54	SL 1X3G 2,54	SL 1X3G 2,54	J1	Stiftleiste 3pol 2.54mm	1
SL 1X4G 2,54	GPS	SL 1X4G 2,54	J2	Stiftleiste 4pol 2.54mm	1
SL 1X4G 2,54	I2C	SL 1X4G 2,54	J3	Stiftleiste 4pol 2.54mm	1
SL_2x3 2,54mm	SL 2x3G 2,54	SL 2x3G 2,54	J4	Stiftleiste 2x3pol 2.54mm	1
SL_1x2 2,54mm	SL 1X2G 2,54	SL 1X2G 2,54	J5, J6	Stiftleiste 2pol 2.54mm	2
PSS 3pol	PSS 254/3G	PSS 254/3G	J7	PSS 3pol wire-to-board-connector	1
PSIG	L-PSIG 100µH	L-PSIG 100µH	L1	100µH Power Inductor	1
S71	DIY Uebertrager	DIY Uebertrager	L2, L3		2
1210	L-1210F	L-1210F	L4, L5		2
SO8	LM358	LM358	OP1, OP2	LM358 Dual operation amplifier	2
7ASeries_Crystal	5x3.2mm crystal 16Mhz	5x3.2mm crystal 16Mhz	Q1	16Mhz crystal resonator	1
HC49	27Mhzcrystalresonator	27Mhzcrystalresonator	Q2	27Mhz crystal resonator	1
0603	49k9 100mW 0603 0.1%	49k9 100mW 0603 0.1%	R1	49k9 100mW 0603 0.1%	1
0603	10K 100mW 0603	10K 100mW 0603	R2, R3, R4, R5, R6, R8, R10, R12, R20, R22, R24, R26, R27	10K 100mW 0603	13
0603	5K 100mW 0603	5K 100mW 0603	R7, R9, R11, R17, R21, R23, R25	5K 100mW 0603	7
0603	20K 100mW 0603	20K 100mW 0603	R13, R14	20K 100mW 0603	2
0603	50K 100mW 0603	50K 100mW 0603	R15	50K 100mW 0603	1
0603	100K 100mW 0603	100K 100mW 0603	R16, R18	100K 100mW 0603	2
0603	1k 100mW 0603	1k 100mW 0603	R19	1k 100mW 0603	1
0805	120k 125mW 0805	120k 125mW 0805	R28, R31	120k 125mW 0805	2
0805	150k 125mW 0805	150k 125mW 0805	R29	150k 125mW 0805	1
0805	330R 125mW 0805	330R 125mW 0805	R30	330R 125mW 0805	1
0805	470k 125mW 0805	470k 125mW 0805	R32	470k 125mW 0805	1
Bourms3224G Series	I2Tum	3224G-1-202E	R33, R34	Bourms 2k trimmer 12tum	2
0603	59K 100mW 0603 0.1%	59K 100mW 0603 0.1%	R35, R36, R44, R47	59K 100mW 0603 0.1%	4
PT1000	PT1000	PT1000	R37		1
0805	10K 125mW 0805 0.1%	10K 125mW 0805 0.1%	R38	10K 125mW 0805 0.1%	1
0603	10k 100mW 0603 0.1%	10k 100mW 0603 0.1%	R39, R40, R41	10k 100mW 0603 0.1%	3
0603	1k 100mW 0603 0.1%	1k 100mW 0603 0.1%	R42, R43, R45, R46	1k 100mW 0603 0.1%	4
Micro3	IRLML5203	IRLML5203	T1	IRLML5203, Logiclevel P-Channel MOSFET	1
TO92	BF245B	BF245B	T2	N-Channel FET	1
SOT103	BF982	BF982	T3	BF982 double gate Mosfet	1
testpoint	testpoint	testpoint	TP2	testpoint	1

Approved	Notes